

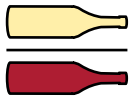
Energy
efficiency class

F

For every 45
niche height!



For red and
white wine



5 - 20 °C /
41 - 68 °F



CASO WINE CONTROL APP
via Wi-Fi Smart Control

- Perfect temperature control from almost everywhere
- App development Made in Germany 
- Monitors + reports any error messages to your smartphone in seconds
- Light controllable from almost everywhere
- For Android and iOS



Handleless door control
(Push-to-open + soft-close)

Product data

| | |
|------------------|--------------------|
| Art. No. | 7712 |
| EAN | 4038437077124 |
| Measures (WxHxD) | 595 x 455 x 575 mm |
| Power | 120 Watt |
| Voltage | 220-240V/50-60Hz |
| dB(A) | 36 |
| Certification | CE, GS |
| Packing unit | 1 |

BUILT-IN DESIGN WINE COOLER WITH COMPRESSOR TECHNOLOGY

WineDeluxe WD 17

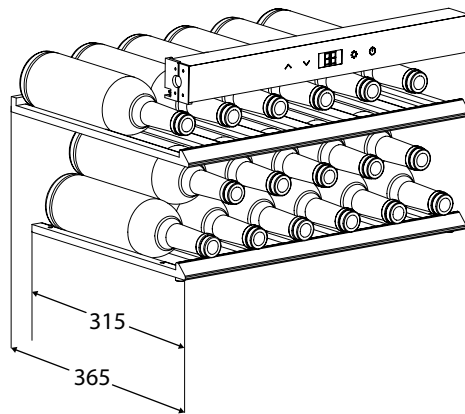
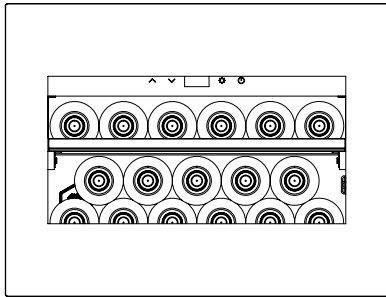
- + **Built-in designer wine cooler for storage of up to 17 bottles (max. 310 mm height)**
- + **Via the integrated Wi-Fi module with the CASO app Controllable from anywhere**
- + For every 45 niche height
- + **Handleless Push-to-open door**
- + **Soft-close Hettich hinges for quiet and smooth closing**
- + Smooth-running compressor ensures gentle, vibration-free wine storage
- + Single temperature zone can be set to 5 - 20 °C (41 - 68 °F)* using electronic controls
- + Active ventilation for even temperature distribution
- + **3-layer insulated glass with UV filter for optimum aroma protection**
- + Door alarm warns of temperature loss due to open door
- + Sensor touch display
- + LED temperature display of the cooling area
- + The switchable white ambient LED strips on the sides can be set to 4 light intensity levels
 - Level 1 (25%), Level 2 (50%), Level 3 (75%) and Level 4 (100%)
- + Easy removal of wine bottles thanks to wooden storage shelves with integrated telescopic rails
- + Activated carbon filter for optimum air quality
- + Door can be fitted to open to the left or right

* The attainable value in the interior can not be above the ambient temperature at the installation location

TECHNICAL DRAWINGS WINEDELUXE WD 17

Option 1:

Standard
(up to 17
bottles)

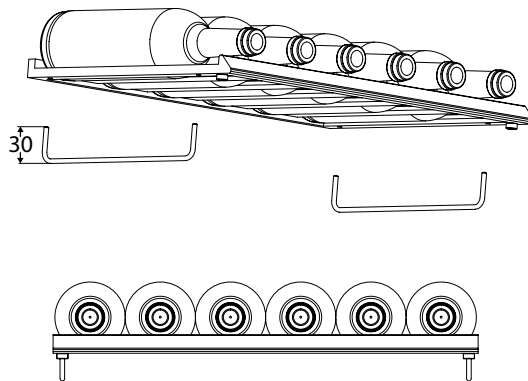
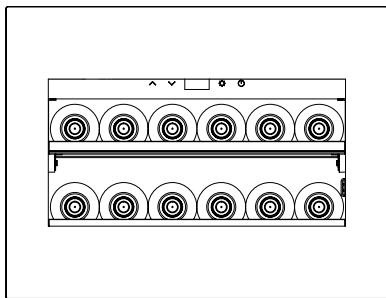


max. bottle length
top: 370 mm
bottom 320 mm

2.3 cm above edge

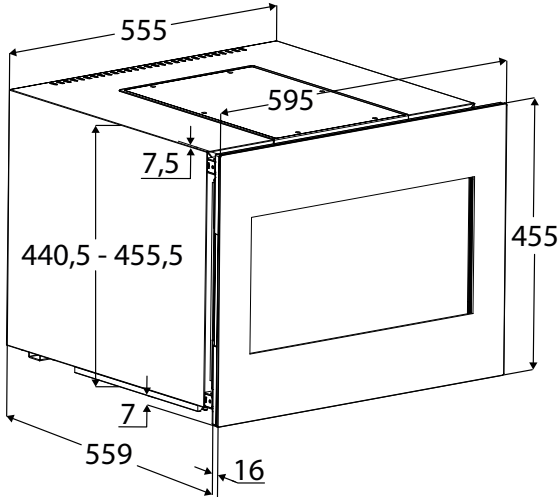
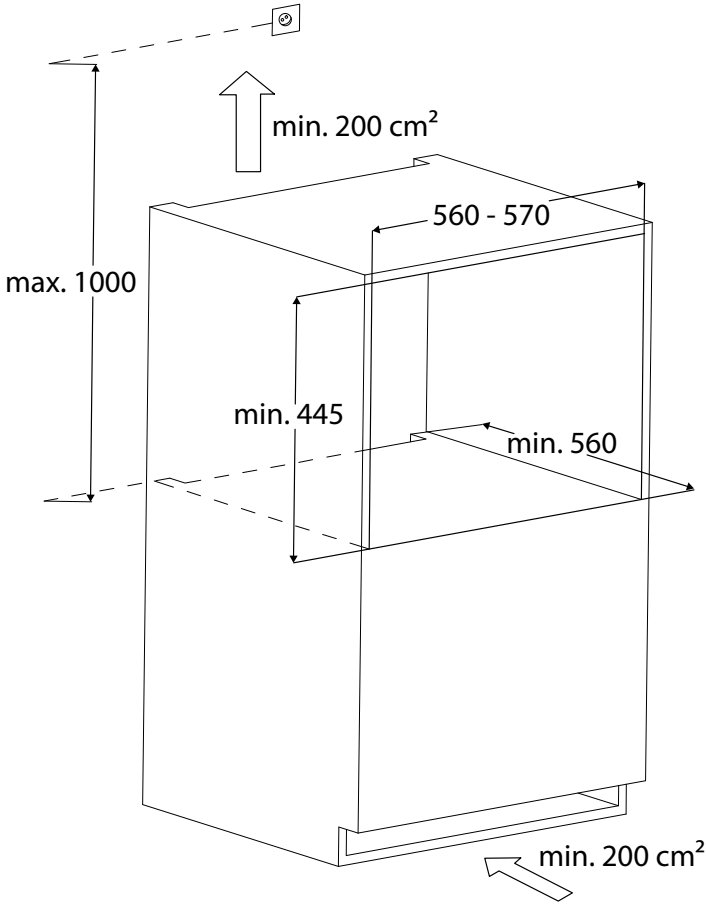
Option 2:

With set-up
device
(up to 12
bottles)



If the height of the storage shelf is to be increased, the set-up device can be attached to the bottom of the shelf. The shelf is subsequently visible when the door is closed. The set-up device is included in the scope of delivery.

TECHNICAL DRAWINGS WINEDELUXE WD 17



*The installation height can be increased up to 455.5 mm by the adjustable feet.